



2MP IR Vandal-Proof Dome Camera

GLID200-DV1

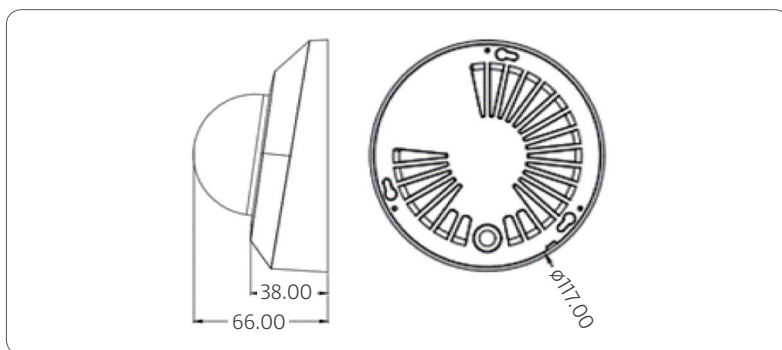


Product Positioning

GLID200-DV1 series 2MP IR Vandal-proof dome cameras support H.265 co-dec and ONVIF connection. It is a wide range applicable camera with high resolution smart streaming at low bit rate.

Applications

Suitable for buildings, supermarkets, hotels, banks, roads, warehouses, underground parking lots, pubs, tunnels and park areas surveillance applications. Performing day and night security control and quality assurance surveillance even for low light or no light areas.



Feature

High Resolution

2MP Megapixel (1920x1080)
Support 3DNR, DWDR

H.265 Video Codec

Support H.265 High resolution CODEC, saving bandwidth and storage space

Smart IR

Support smart IR to eliminate overexposure problems at night

Corridor Mode

Support special corridor mode to extend surveillance distance in narrow viewing environment

Support ONVIF Protocol

Multiple Features Selectable

Support PoE power supply. Support on-board storage on microSD card (up to 128G)

GLID200-DV1 2MP IR Vandal-Proof Dome Camera

Specifications

Image Sensor	1/2.7" 2MP progressive scan CMOS
Min. Illumination	0Lux/F1.4(IR On) color: 0.06Lux/F1.4, B/W:0.01Lux/F1.4
IR Distance	10M (6 IR LEDs)
Lens	3.6mm ICR lens
S/N Ratio	≥ 40dB(AGC OFF)
Wide Dynamic Range	DWDR (Off/ Low/ Middle/ High)
3D Noise Reduction	3DNR (Off/ Low/ Middle/ Middle-high/ High)
Defogging	Off/ Low/ Middle/ High
Mirror	Off/ Horizontal Mirror/ Vertical Mirror/ 180° Rotation/ Corridor Mode (90°rotation, 270°rotation)
Video Compression	H.265/ H.264
H.264 Video Encoding	Base line/ Main profile
H.265 Video Encoding	Main Profile
Max. Resolution	1920 x 1080
Network Protocols	TCP/IP, UDP, HTTP, DHCP, RTSP, DDNS, NTP, PPPoE, UPnP, SMTP
Connection Protocol	ONVIF
Web Browser	Support IE browsers
Video Content Analysis	Object counting, Object missing/left-behind, Area detection, Cross-line detection, Privacy mask
Group Multicasting	Supported
Motion Detection	Set detection area, Multi-level sensitivity optional
Tampering Alarming	Support 1 zone configuration
Privacy Mask	Support 4 privacy zones settings
Video Overlay (OSD)	Title/date/ time overlay, Multi-line OSD, Multi-color OSD
Interface Connectors	RJ45, Analog video output, Reset, microSD port
Network Interface	RJ45, 10M/100M adaptive Ethernet
MicroSD Card Storage	Support up to 128G microSD (SDHC/SDXC) card on-board storage
Operating Temperature	-20°C ~ 55°C
Operating Humidity	0% ~ 90%
Max. Power Consumption	< 6W
Power Supply	DC12V/ PoE
Protection Level	IP66 rating, IK10 rating
Safety Certification	CE & FCC

*This specification is subject to possible change without prior notice.

