



# 2MP IR HD Bullet Network Camera

## GLIB200-D2

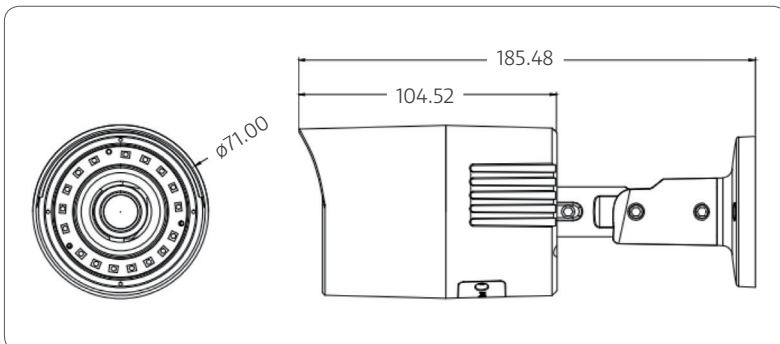


### Product Positioning

GLIB200-D2 series 2MP IR HD Network cameras support H.265 codec and ONVIF connection. It is a wide range applicable camera with high resolution smart streaming at low bit rate, the best choice for you.

### Applications

Suitable for buildings, supermarkets, hotels, banks, roads, warehouses, underground parking lots, pubs, tunnels and park areas surveillance applications.



### Feature

#### High Resolution

2MP megapixel (1920x1080)  
Support 3DNR, DWDR

#### H.265 CODEC

Support H.265 high resolution CODEC, saving bandwidth and storage space.

#### Intelligent Video

Object counting, object missing/left, cross-line detection, privacy mask.

#### Support ONVIF Protocol

#### Easy Deployment & Operation

Support both DC12V/ PoE power source.

# GLIB200-D2 2MP IR HD Bullet Network Camera

## Specifications

<b>Image Sensor</b>	1/2.7" 2MP progressive scan CMOS
<b>Min. Illumination</b>	0Lux/F1.4(IR On); color: 0.06Lux/F1.4, B/W: 0.001Lux/F1.4
<b>IR Distance</b>	15-20M(15 IR LEDs)
<b>Lens</b>	3.6mm ICR lens
<b>S/N Ratio</b>	≥ 40dB(AGC OFF)
<b>Wide Dynamic Range</b>	DWDR (Off/ Low/ Middle/ High)
<b>3D Noise Reduction</b>	3DNR (Off/ Low/ Middle/ Middle-high/ High)
<b>Defogging</b>	Off/ Low/ Middle/ High
<b>Mirror</b>	Off/ Horizon mirror/ Vertical mirror/ 180° rotation/ Corridor mode (90° rotation, 270°rotation)
<b>Video Compression</b>	H.265/ H.264
<b>H.264 Video Encoding</b>	Base line/ Main Profile
<b>H.265 Video Encoding</b>	Main Profile
<b>Max. Resolution</b>	1920 x 1080
<b>Network Protocols</b>	TCP/IP, UDP, HTTP, DHCP, RTSP, DDNS, NTP, PPPoE, UPnP, SMTP
<b>Connection Protocol</b>	ONVIF
<b>Web Browser</b>	Support IE browse
<b>Video Content Analysis</b>	Object counting, object missing/ left, cross-line detection, privacy mask
<b>Group Multicasting</b>	Supported
<b>Motion Detection</b>	Set detection area, Multi-level sensitivity optional
<b>Tampering Alarming</b>	Support 1 zone configuration
<b>Privacy Mask</b>	Support 4 privacy zones settings
<b>Video Overlay (OSD)</b>	Title/ Time/ Date overlay, Multi-line OSD, Multi-color OSD
<b>Interface Connectors</b>	RJ45, Reset, microSD port
<b>Network Interface</b>	RJ45, 10M/100M adaptive Ethernet
<b>MicroSD Card Storage</b>	Support up to 128G microSD (SDHC/SDXC) card on-board storage
<b>Operating Temperature</b>	-20°C ~ 55°C
<b>Operating Humidity</b>	0% ~ 90%
<b>Max. Power Consumption</b>	< 6W
<b>Power Supply</b>	DC 12V/ PoE
<b>Protection Level</b>	IP66 rating, IK10 rating (metal case)
<b>Safety Certification</b>	CE, FCC

\*This specification is subject to possible change without prior notice.

