



# 2MP Dual Lens Human Detection and Face Recognition Terminal

## GLFT2FM

### Product Position

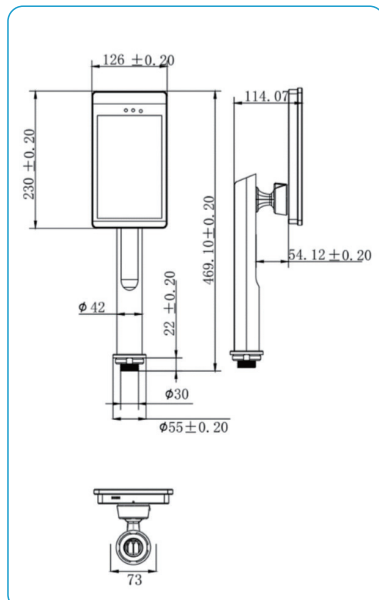
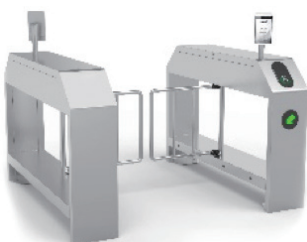
GLFT2MF Live Human Being Detection and Face Recognition Terminal, the embedded terminal system is the complex end products for face comparison to provide live testing human face detection, face capture, and recognition functions all-in-one. It provides members safer and more convenient applications about access control management.

### Applications

The solutions have been widely used for entrance/exit control in buildings, time attendance, airport security checkpoint, industrial park areas, community and related sites

#### Gate Linkage Access Control System

Easy to install with simple mounting bracket, enable to set up access control through built-in face recognition with the signal linked directly to control the gate.



### Features

- Industrial grade design, with stable performance and smooth lines
- Support live human face detection, effective prevention of photos and video spoofing
- Use deep learning algorithm, face database up to 10,000pcs
- Flexible face template import, support single, batch image files import and real-time capture import
- Provide query after login, setting integrated parameters, viewing real-time monitoring and face comparison image
- Identify members of general list, white list, black list, etc.
- Support to recognize result linkage I/O, Wiegand format output
- Widely used in access control channels, wall-mounting attendance and other scenarios

# GLFT2FM 2MP Dual Lens Human Detection and Face Recognition Terminal

Specification		
<b>Type</b>	AI Face Recognition Terminal	
<b>Face Recognition</b>	<b>Detection Type</b>	Support liveness human face detection, effective prevention of print photos, phone photos and video spoofing
	<b>Number of Face Detection</b>	Sync detection ≤ 5pcs face targets
	<b>Identification between travels</b>	0/ 0.5m/ 1m/ 2m/ 3m
	<b>Capacity of Face Database</b>	Support built-in ≤ 10000 faces; support black/white list
	<b>Capture/ Comparison Rate</b>	Face recognition rate ≥ 99%
	<b>Response Speed</b>	≤ 1s
	<b>Recognition Mode</b>	Support 1 to 1 and 1 to N mode
<b>Screen</b>	<b>Size</b>	8 inch, full-angle IPS LCD screen
	<b>Resolution</b>	1280 x 800
<b>Camera</b>	<b>Type</b>	Dual camera design (RGB & Infrared Camera)
	<b>Sensor</b>	1/2.7" progressive scan CMOS
	<b>Resolution</b>	1932 x 1092
	<b>Lens</b>	4.2mm, F1.6
	<b>White Balance</b>	Auto
	<b>Shutter Type</b>	Electronic rolling shutter
	<b>Other</b>	AEC/Gain
<b>Network Functions</b>	<b>Network Protocol</b>	IPv4, TCP/IP, NTP, FTP, HTTP
<b>Interface</b>	<b>Serial communication interface</b>	1-way RS-232
	<b>Relay output</b>	1 way (DOOR_NO, DOOR_COM, DOOR_NC)
	<b>Wiegand output</b>	1-way 26/34-bit output
	<b>Reset interface</b>	Reset button
	<b>Network interface</b>	1-way 100M Ethernet
	<b>USB interface</b>	1-way Type-A Functions
	<b>Audio output</b>	1-way 3.5mm standard interface
<b>General parameters</b>	<b>Ingress protection</b>	IP66
	<b>Regulatory</b>	CE, FCC compliant
	<b>Power</b>	DC12V / 2A
	<b>Power consumption Running</b>	≤ 15W
	<b>Dimension</b>	126(W) x 469.1(L) x 114(D) mm
	<b>Card reader interface</b>	Optional

\*Specifications are subject to change without notice

