



2MP Dual Lens Human Detection and Face Recognition Terminal

GLFT2FM-I

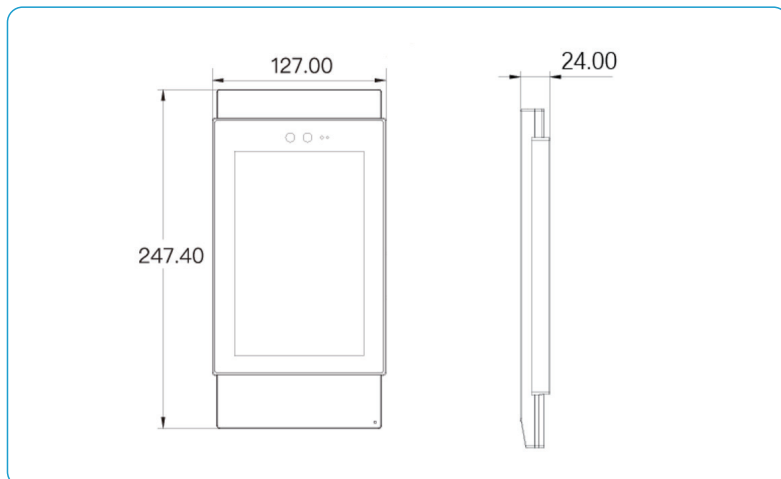


Product Position

GLFT2MF-I Live Human Being Detection and Face Recognition Terminal, the embedded terminal system is the complex end products for face comparison to provide live testing human face detection, face capture, and recognition functions all-in-one. It provides members safer and more convenient applications about access control management.

Applications

The solutions have been widely used for entrance/exit control in buildings, time attendance, airport security checkpoint, industrial park areas, community and related sites.



Features

- Integration of face capture, comparison function
- Support live human face detection, effective prevention of photos and video spoofing
- Use deep learning algorithm, face database up to 10,000pcs
- Flexible face template import, support single, batch image files import and real-time capture import
- Provide query after login, setting integrated parameters, viewing real-time monitoring and face comparison image
- Identify members of general list, white list, black list, etc.
- Support to recognize result linkage I/O, Wiegand format output
- Widely used in access control channels, wall-mounting attendance and other scenarios

GLFT2FM-I 2MP Dual Lens Human Detection and Face Recognition Terminal

Specification

Type	AI Face Recognition Terminal	
Face Recognition	Detection Type	Support liveness human face detection, effective prevention of print photos, phone photos and video spoofing
	Number of Face Detection	Sync detection ≤ 5pcs face targets
	Identification between travels	0/ 0.5m/ 1m/ 2m/ 3m
	Capacity of Face Database	Support built-in ≤ 10000 faces; support black/white list
	Capture/ Comparison Rate	Face recognition rate ≥ 99%
	Response Speed	≤ 1s
	Recognition Mod	Support 1 to 1 and 1 to N mode
Screen	Size	7 inch, full-angle IPS LCD screen
	Resolution	1024 x 600
Camera	Type	Dual camera design (RGB & Infrared Camera)
	Sensor	1/2.7" progressive scan CMOS
	Resolution	1932 x 1092
	Lens	4.2mm, F1.6
	White Balance	Auto
	Shutter Type	Electronic rolling shutter
Network Functions	Other	AEC/Gain
	Network Protocol	IPv4, TCP/IP, NTP, FTP, HTTP
Interface	Serial communication interfac	1-way RS-232 x 1
	Relay output	1 way opening signal output (DOOR_NO, DOOR_COM, DOOR_NC)
	Wiegand output	1-way 26/34-bit
	Reset interface	Reset button
	Network interface	1-way 100M Ethernet
	USB interface	1-way Type-A Functions
General parameters	Ingress protection	IP42
	Regulatory	CE, FCC compliant
	Power	DC12V / 2A
	Power consumption	≤ 7W
	Dimension	127(W) x 247.4(L) x 24(D) mm
	Card reader interface	Optional

*Specifications are subject to change without notice

